

FR8016HA Datasheet

Bluetooth Low Energy SOC with SIG Mesh integrated

Version: V1.2

Release Date: 2021.12

Contents

- DESCRIPTION 3
- FEATURES 3
- APPLICATIONS..... 3
- ORDERING INFORMATION 3
- 1. Hardware Details..... 4
 - 1.1 Block Diagram 4
 - 1.2 Bluetooth Radio..... 4
 - 1.3 Bluetooth Controller 5
 - 1.4 Audio Interface..... 5
 - 1.5 Peripheral Interfaces 5
 - 1.6 Integrated Power Control and Regulation 5
 - 1.7 Battery Charger 6
- 2. Package and Pin Information..... 7
 - 2.1 Package..... 7
 - 2.2 Package Physical Dimensions 7
 - 2.3 Pins Description 8
 - 2.4 Application circuit 10
- 3. Electrical Characteristics..... 11
 - 3.1 Absolute Maximum Ratings..... 11
 - 3.2 Recommended Operating Conditions 11
 - 3.3 Power Consumption 11
 - 3.4 Audio CODEC 12
 - 3.5 Crystal oscillator 12
- Contact Information 13
- Revision History 13

DESCRIPTION

FR8016HA is a SOC (system on chip) for rapid development of Bluetooth Low Energy related products. It contains Bluetooth V5.0 (LE Mode) fully compliant system with Freqchip designed firmware and software stack. Users can develop various applications based on embedded 32-bits high performance MCU.

With Freqchip’s innovational technology, FR8016HA integrates Audio CODEC, PMU (Li-battery charger + LDO) , SPI flashROM with XIP mode, IIC, UART, GPIO, ADC, PWM all in a single chip, which provides customer with:

1. competitive power consumption
2. stable connection
3. low-cost BOM

The Bluetooth Smart firmware includes the L2CAP service layer protocols, Security Manager (SM), Attribute Protocol (ATT), the Generic Attribute Profile (GATT) and the Generic Access Profile (GAP). Furthermore, application profiles such as Proximity, Health Thermometer, Heart Rate, Blood Pressure, Glucose, Human Interface Device (HID) and SDK (include drivers, OS API, etc.) are supported. The SDK has integrated SIG Mesh for networking application.

FEATURES

- Compliant with Bluetooth Specification V5.0 LE, support 2M, 1M, 500K and 125K data rate

- Embedded 32-bitsProcessor
 - 12~48Mhz speed
- Internal mask150KBROM, up to 48KB SRAM
- Internal 4M Flash ROMfor user space software and data
- Integrated Battery Charger
- Integrated DC-DC Regulator
- Mono Audio CODEC
- Interface:
 - GPIO
 - UART
 - SPI
 - I2C
 - PWM
 - I2S
 - LED
- ROM Software:
 - BLE Profile & Protocol: GATT, LM, LC, etc.
 - Driver API
 - SIG Mesh

APPLICATIONS

- voice remote control
- smart toy
- led control
- SIG Mesh application
- smart locks
- etc.

ORDERING INFORMATION

FR8016HA -40°C ~ +105°C

QFN32, 4.0*4.0*0.75, 0.4pitch

1. Hardware Details

1.1 Block Diagram

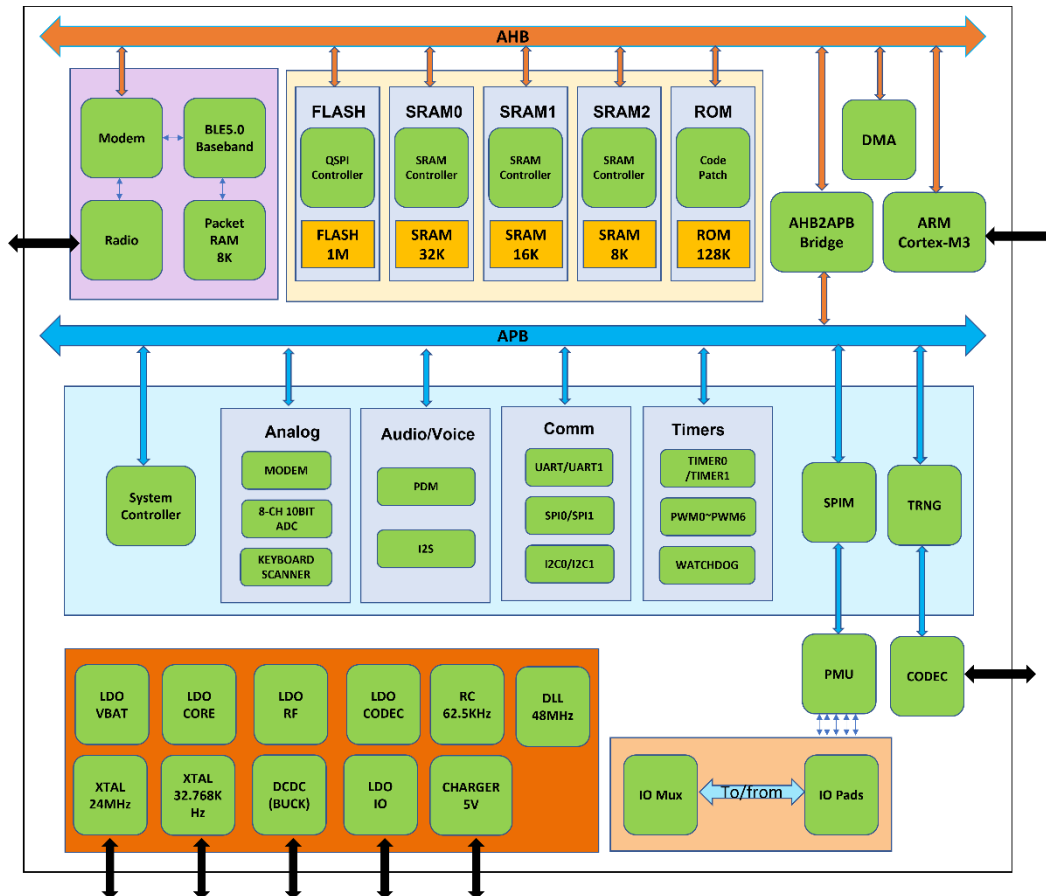


Figure 1-1 Block Diagram

1.2 Bluetooth Radio

- On-chip balun (50Ω impedance in TX and RX modes)
- No external trimming is required in production
- Qualified to Bluetooth v5.0 LE specification
- Up to 10dBm RF transmit power
- -95dBm (1M) receiver sensitivity in LDO mode
- Integrated channel filters
- Digital demodulator for improved sensitivity and co-channel rejection
- Real time digitized RSSI
- Fast AGC for enhanced dynamic range

1.3 Bluetooth Controller

- All device classes support (Broadcaster, Central, Observer, Peripheral)
- All packet types (Advertising / Data / Control)
- Encryption (AES / CCM)
- Bit stream processing (CRC, Whitening)
- Frequency hopping calculation
- Low power modes supporting internal 32.0 kHz RC oscillator or external 32.768 kHz crystal (FR8018H only)
- Supports power down of the baseband during the protocol's idle periods

1.4 Audio Interface

- Embedded 16-bit Mono Audio CODEC
- DAC SNR 96dB, THD -86dB
- ADC SNR 84dB, THD -83dB
- DAC/ADC Support 8k/16k/44.1k/48kHz sample rate

1.5 Peripheral Interfaces

- UART port for Debugging and AT Commands
- IIC interface to support external EEPROM or other devices (like G-SENSOR)
- One more SPI interface to support other device (like OLED controller)
- Up to 17 general purpose IOs (17 IOs can be set in interrupt mode)
- General purpose 10-bits ADC used for ADKey and other analog input
- PWM controller
- Hardware LED controller
- General purpose programmable timer for various task
- Watchdog used for tracking unexpected exception

1.6 Integrated Power Control and Regulation

- Embedded Power-On-Reset
- Low power 0.9v core voltage
- On-chip high efficiency switch-mode power supply, 1.8v to 4.3v input direct from battery and programmable output voltage
- On-chip Low Dropout (LDO) Linear Regulator for internal Digital, RF and Analog circuit
- Power management features include software shutdown and hardware wake-up
- Power-on-reset cell detects low supply voltage
- Internal voltage level detector

1.7 Battery Charger

- Lithium ion/Lithium polymer battery charger
- Embedded LVD(low voltage detect)
- Programmable charging current. Fast charging support up to 200mA with no external components

2. Package and Pin Information

2.1 Package

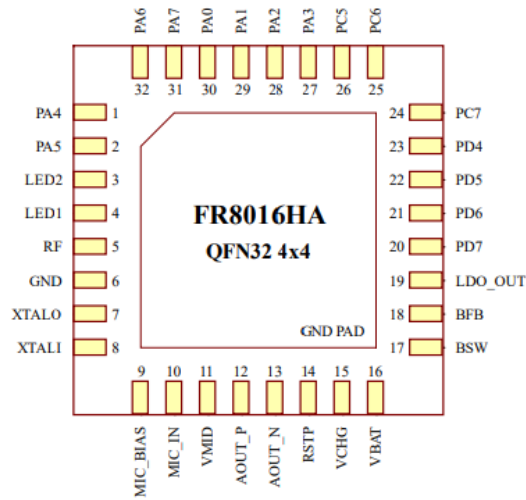


Figure 2-1 FR8016HA pin information

2.2 Package Physical Dimensions

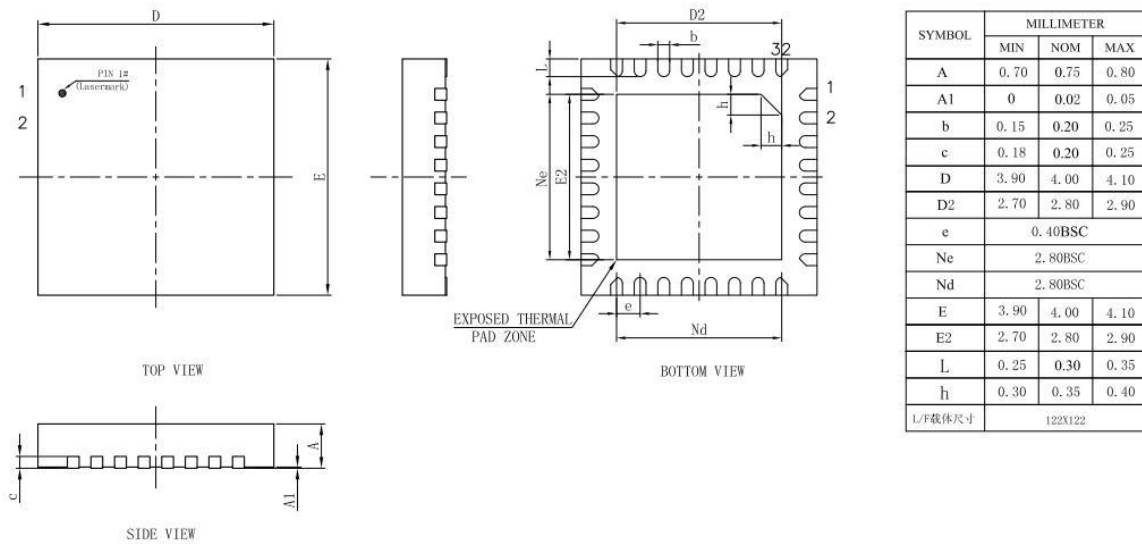


Figure 2-2 Package Physical Dimensions

2.3 Pins Description

FR8016HA is a CMOS device. Floating level on input signals will cause unstable device operation and abnormal current consumption. Pull-up or Pull-down resistors should be used appropriately for input or bidirectional pins.

Table 2-1 Pin Abbreviations

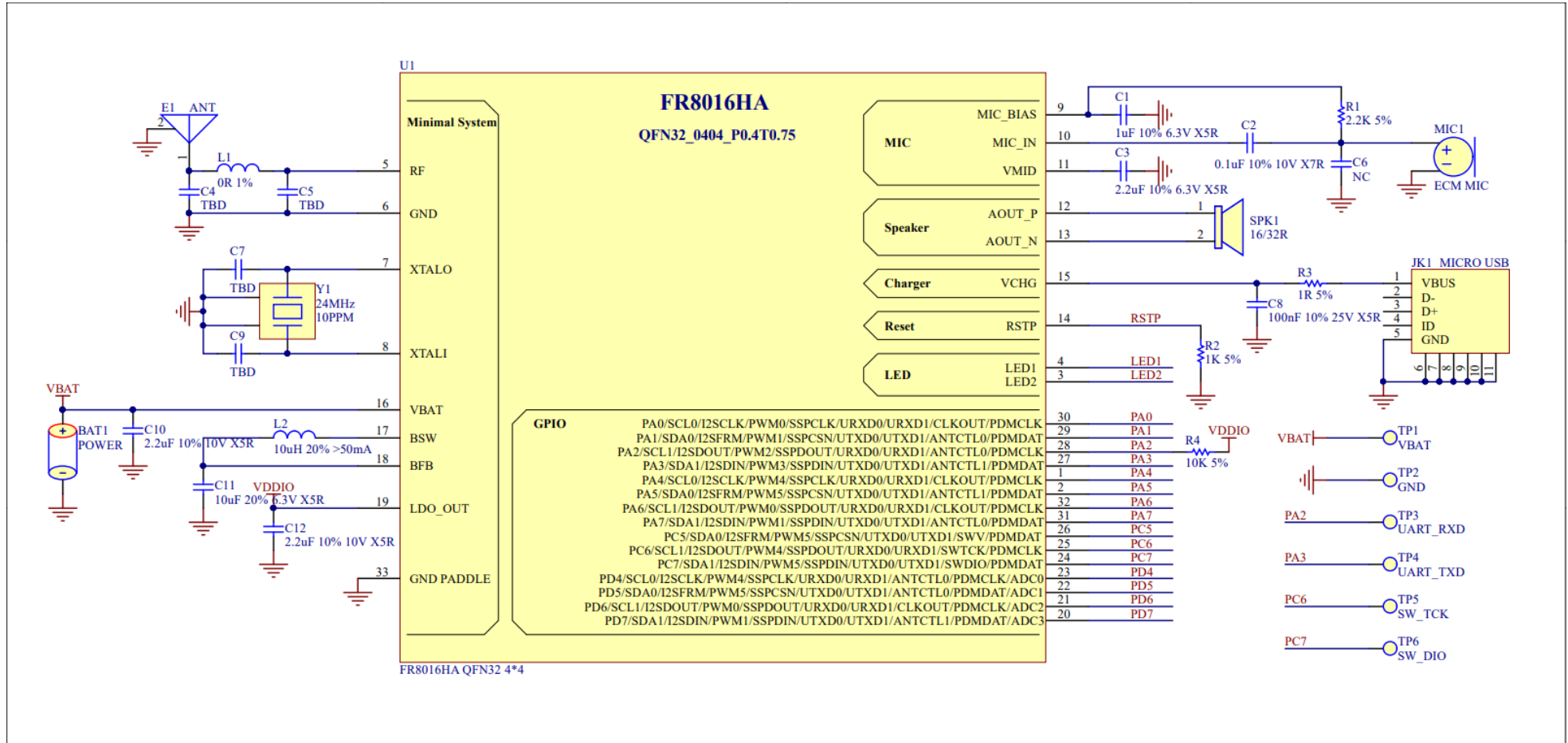
Notation	Description
I	Digital Input
O	Digital Output
AI	Analog input
AO	Analog output
IO	Bidirectional(digital)
OD	Open Drain
PWR	Power
GND	Ground

Table 2-2 pin description

Pin name	Pin#	Type	Description
PORTA4	1	I/O	PA4/SCL0/I2SCLK/PWM4/SSPCLK/URXD0/URXD1/CLKOUT/PDMCLK/PWM5
PORTA5	2	I/O	PA5/SDA0/I2SFRM/PWM5/SSPCSN/UTXD0/UTXD1/ANTCTL1/PDMDAT/PWM4
LED2	3	O	LED2 control output
LED1	4	O	LED1 control output
RF	5	AI/O	RF input and output
GND	6	GND	Ground
XTALO	7	AO	crystal oscillator output
XTALI	8	AI	crystal oscillator input
MIC_BIAS	9	AO	MIC BIAS output
MIC_P	10	AI	Voice positive input
VMID	11	AI	common mode voltage
ROUTP	12	AO	The audio right channel positive output
ROUTN	13	AO	The audio right channel negative output
RSET	14	AI	Reset
VCHG	15	PWR	Power supply for charger
VBAT	16	PWR	Positive power supply for DC/DC

Pin name	Pin#	Type	Description
BSW	17	AO	DC/DC output terminal
BFB	18	AI	DC/DC feedback input terminal
LDO_OUT	19	AO	Analog linear regulator output
PORTD7	20	I/O	PD7/SDA1/I2SDIN/PWM1/SSPDIN/UTXD0/UTXD1/ANTCTL1/PDMDAT/PWM0/ADC3
PORTD6	21	I/O	PD6/SCL1/I2SDOUT/PWM0/SSPDOUT/URXD0/URXD1/CLKOUT/PDMCLK/PWM1/ADC2
PORTD5	22	I/O	PD5/SDA0/I2SFRM/PWM5/SSPCSN/UTXD0/UTXD1/ANTCTL0/PDMDAT/PWM4/ADC1
PORTD4	23	I/O	PD4/SCL0/I2SCLK/PWM4/SSPCLK/URXD0/URXD1/ANTCTL0/PDMCLK/PWM5/ADC0
PORTC7	24	I/O	PC7/SDA1/I2SDIN/PWM5/SSPDIN/UTXD0/UTXD1/SWDIO/PDMDAT/PWM4
PORTC6	25	I/O	PC6/SCL1/I2SDOUT/PWM4/SSPDOUT/URXD0/URXD1/SWTCCK/PDMCLK/PWM5
PORTC5	26	I/O	PC5/SDA0/I2SFRM/PWM5/SSPCSN/UTXD0/UTXD1/SWV/PDMDAT/PWM4
PORTA3	27	I/O	PA3/SDA1/I2SDIN/PWM3/SSPDIN/UTXD0/UTXD1/ANTCTL1/PDMDAT/PWM2
PORTA2	28	I/O	PA2/SCL1/I2SDOUT/PWM2/SSPDOUT/URXD0/URXD1/ANTCTL0/PDMCLK/PWM3
PORTA1	29	I/O	PA1/SDA0/I2SFRM/PWM1/SSPCSN/UTXD0/UTXD1/ANTCTL0/PDMDAT/PWM0
PORTA0	30	I/O	PA0/SCL0/I2SCLK/PWM0/SSPCLK/URXD0/URXD1/CLKOUT/PDMCLK/PWM1
PORTA7	31	I/O	PA7/SDA1/I2SDIN/PWM1/SSPDIN/UTXD0/UTXD1/ANTCTL0/PDMDAT/PWM0
PORTA6	32	I/O	PA6/SCL1/I2SDOUT/PWM0/SSPDOUT/URXD0/URXD1/CLKOUT/PDMCLK/PWM1

2.4 Application circuit



3. Electrical Characteristics

3.1 Absolute Maximum Ratings

Continuous operation at or beyond these conditions may permanently damage the device.

Table 3-1 Absolute Maximum Ratings

Rating		Min	Max	Unit
Storage Temperature		-40	125	°C
Core Supply Voltage		0.9	1.3	V
I/O Voltage	ALDO_OUT	1.6	3.3	V
Supply Voltage	VBAT	1.8	4.3	V
	VCHG	4.75	5.25	V

3.2 Recommended Operating Conditions

Table 3-2 Recommended Operating Conditions

Operating Condition		Min	Typ	Max	Unit
Operating Temperature Range		-40	20	105	°C
Core Supply Voltage		0.9	1.2	1.3	V
I/O Voltage	ALDO_OUT	1.6	2.9	3.3	V
Supply Voltage	VBAT	1.8	3.3	4.3	V
Charge input voltage	VCHG	4.75	5	5.25	V

3.3 Power Consumption

Table 3-3 Power Consumption

Operation Mode	Average	Maximum	Unit
TX peek current (0dB)		8	mA
RX peek current		9.7	mA
Deep sleep current (include 48K retention RAM)	6.1		μA
Power off	2.7		μA

3.4 Audio CODEC

Table 3-4 Audio CODEC information

Digital to Analogue Converter(Mono)					
PARAMETER	CONDITIONS	MIN	TYP	MAX	UNIT
Resolution	-	-	-	16	Bits
Sampling frequency (Fs)*	The synchronized clock signal	8		48	kHz
SNR (Signal to Noise Ratio)	Fin=1kHz B/W=20Hz – 20KHz A-Weighted THD_N<0.01% Fs(8K,16K,32K,44.1K,48K)		92		dB
Digital Gain	Digital Gain Resolution=1/48dB	-48		32	dB
Analogue Gain	Analog Gain Resolution = 3dB	0		-30	dB
Output voltage full-scale	VDDA=2.9V		1500		mV
Stopband attenuation		65			dB
Analog to Digital Converter(Mono)					
PARAMETER	CONDITIONS	MIN	TYP	MAX	UNIT
Resolution	-	-	-	16	Bits
Sampling frequency (Fs)*	The synchronized clock signal	8		48	kHz
Signal to Noise Ratio	A-weighted		79		dBFS
	W/O weighting		79		dBFS
Digital Gain	Digital Gain Resolution=1/48dB	-48		32	dB
Analogue Gain	Analog Gain Resolution = 3dB	0		30	dB

3.5 Crystal oscillator

Table 3-5 Crystal oscillator

CLOCK SOURCE	Min	Typ	Max	Unit
Main Crystal OSC(12M/24Mhz) for Bluetooth RF application				
Clock Frequency	24	24	24	MHz
Digital rim range		7.5		pf
Trim step size		0.1		pf
Tolerance		+10		ppm
Note: XTAL Load capacitance = 7.5pf				

Contact Information

Website: www.freqchip.com

Sales Email: sales@freqchip.com

Phone: +86-21-5027-0080

Feedback:

Freqchip welcomes feedback on this product and this document. If you have comments or suggestions, please send an email to docs@freqchip.com.

Revision History

Feedback:

Freqchip welcomes feedback on this product and this document. If you have comments or suggestions, please send an email to docs@freqchip.com.

Reversion Number	Reversion Date	Description
V1.2	2021.12.23	Initial Draft