





- 额定电流最高达 1600A
Rated currents up to 1600A
- 为变频器及特别干扰严重场合设计
Design for VVVF and high noise environment
- 卓越的滤波效果
Excellent performance for conducted interference
- 直接匹配各种品牌变频器、逆变器、工业驱动系统
Applicant for variable brands of Frequency inverters, motor drivers and servo
- 安规认证: 
Approval: 

应用 Application

- 专门针对变频/伺服器及变频设备工作时输入端对电网及 PLC、DSC 系统等数字设备产生的干扰而设计。
降低 EMC 干扰，用于主电源侧，切断、隔离电网与变频器之间的干扰通道
Specified design for VVVF/Servo and Frequency Converters. Design for EMC noise suppression and connect on the power input side to quarantine the interference way between power network and VVVF.
- 解决电网中谐波、浪涌对变频器产生的过压、过流、过载、发热、误动作、拒动等问题
Suppress the harmonic or surge from power network, to resolve problem of Inverter like over-voltage, over-current, over-load, over-heat, false operation or no operation.
- 可直接与国内外不同品牌的变频器、伺服配套使用
Directly used on variance brands of Frequency Converters or Servo

技术参数 Technical Data

额定电压 Rated Voltage	380/440 VAC
工作频率 Operation Frequency	50/60Hz
额定电流 Rated Current	5-1200A
耐压测试	2250VDC, 2 sec (线对线 Line to Line)
Hi-pot Test	2700VDC 2sec (线对地 Line to Ground)
气候类别 Climate Category	25/85/21 (-25°C to +85°C)
过载 Overload Capability	4x rated current at switch on, 1.5x rated current for 1minutes, once per hour
设计参考标准 Design corresponding to	UL 1283, CSA 22.2 No. 8 1986, IEC/EN 60939

电路原理图 Electrical Schematic

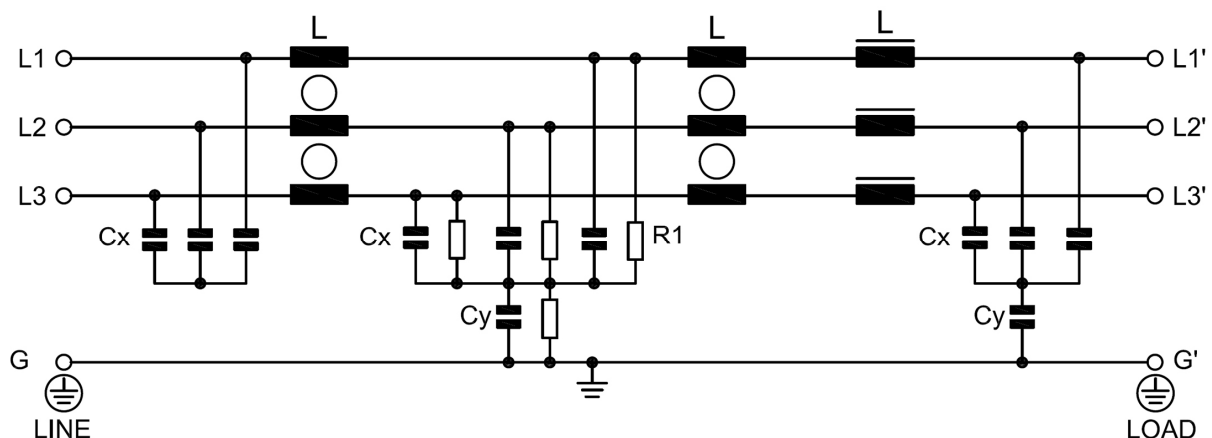
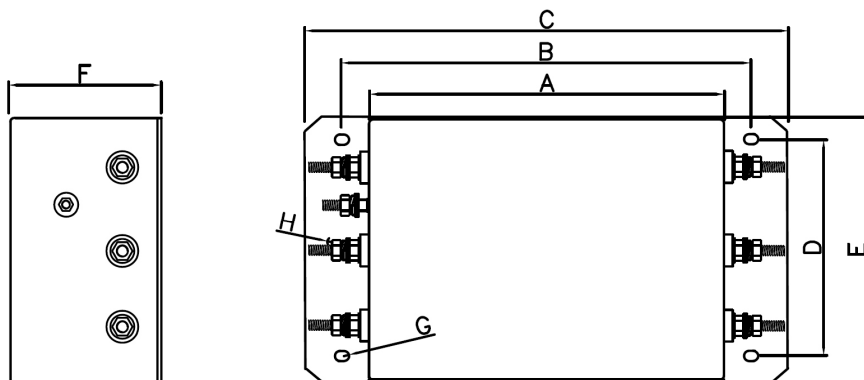


Fig 1

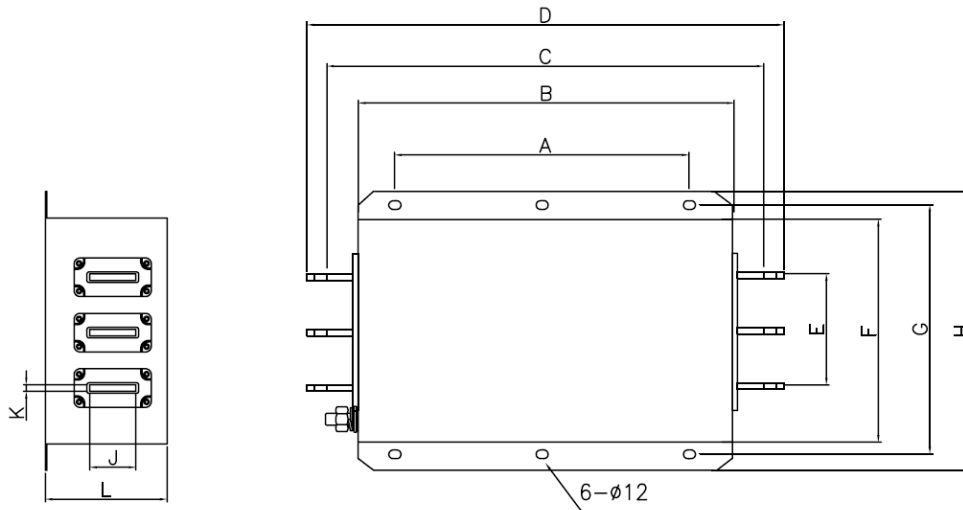
选型表 Type Selection Table

型号 Model	额定电流(A) Rated Current	泄漏电流(≤mA) Leakage Current	变频/伺服器容量 (KW) VVVF/Servo Capacity	外形尺寸 Dim. Fig.	出线端子方式 Output Connection		重量 (公斤) Weight (kg)
							
DF600-5A-01	5	10	0.75/1.5	N2	M4	-	1.0
DF600-8A-01	8	10	2.2/3.7	N2	M4	-	1.1
DF600-16A-01	16	20	5.5/7.5	N5	M6	-	1.4
DF600-30A-01	30	20	11/14	N5	M6	-	1.6
DF600-45A-01	45	40	18.5/22	N10	M6	-	2.5
DF600-60A-01	60	40	30	N10	M6	-	3.0
DF600-75A-01	75	50	37	N12	M8	-	6.5
DF600-100A-01	100	50	45	N12	M8	-	7.0
DF600-120A-01	120	60	55	N12	M8	-	7.0
DF600-150A-01	150	60	75	N12	M10	-	10
DF600-200A-01	200	60	90	N12	M10	-	10
DF600-250A-01	250	60	110	N15	M10	-	10
DF600-300A-01	300	80	125/132/150	N30	-	5X25	14
DF600-420A-01	420	80	160/210/220	N30	-	5X25	14
DF600-500A-01	500	80	250/260	N60	-	6X30	16
DF600-600A-01	600	80	280/315	N60	-	6X30	16
DF600-800A-01	800	80	400	N80	-	8X40	20
DF600-1000A-01	1000	80	500	N90	-	10X50	22
DF600-1100A-01	1100	80	550	N90	-	10X50	22
DF600-1200A-01	1200	90	600	N90	-	10X50	23
DF600-1600A-01	1600	90	700	N100	-	10X60	23

外形尺寸 Outline Dimensions(mm)



	A	B	C	D	E	F	G	H
N2	110	125	140	70.0	93	56	5.3*7	M4
N5	150	168	186	85.0	105	60	6.4*9	M6
N10	200	220	240	100.0	120	80	6.4*9	M6
N12	260	286	314	140.0	170	107	8.8*14	M8
N15	300	326	354	160.0	185	112	8.8*14	M10



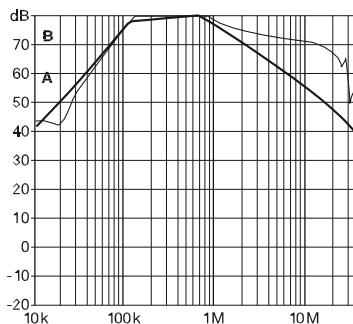
	A	B	C	D	E	F	G	H	K	J	L
N30	240	300	360	394	120	210	235	260	5.0	25	115
N60	290	350	410	444	120	210	230	256	6.0	30	162
N80	290	350	446	475	120	210	230	256	8.0	40	162
N90	290	350	456	485	120	210	230	256	10	50	162
N100	290	350	456	485	120	210	230	256	10	60	162

插入损耗 Insertion Loss in dB

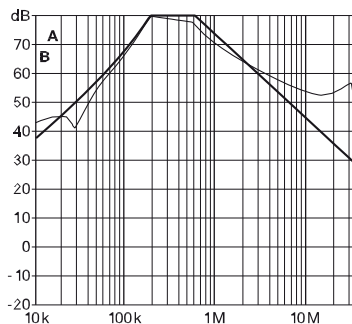
(50Ω/50Ω 环境下插入损耗 Insertion Loss in dB measured in a 50Ω/50Ω system, as IEC/CISPR No. 17)

A=Differential mode (差模) B=Common Mode(共模)

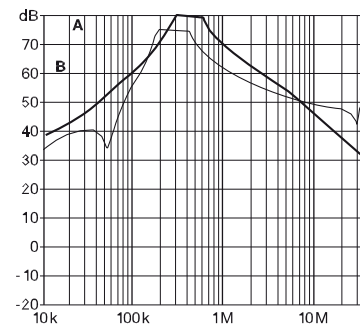
5 and 30A types



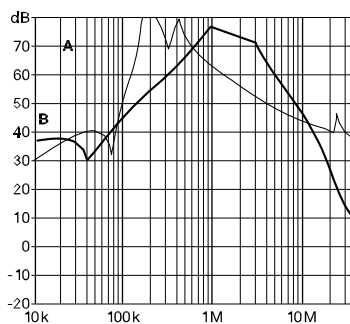
45 to 100A types



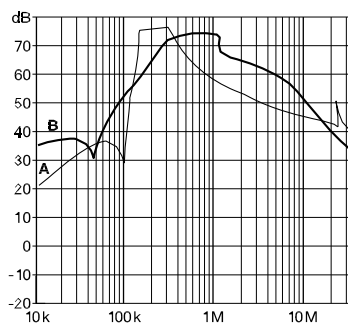
120 to 200A type



300 and 600A types



800 to 1600A types



备注：以上规格为公司标准产品，可根据客户产品定制设计产品性能和尺寸外观
如有 EMC 测试需求，请联系王经理 13382193729

Remark: Customized products are available according to special performance or dimensions requirements

If any EMC test requirement, please contact marketing@dephir.com

更多产品请登陆官方网站：<http://www.cndephir.com>

For more products please go to official website: <http://www.cndephir.com>