

---

# iPod Authentication Coprocessor 2.0C Specification

Release R1



2011-06-22



Apple Inc.  
© 2011 Apple Inc.  
All rights reserved.

No part of this publication may be reproduced, stored in a retrieval system, or transmitted, in any form or by any means, mechanical, electronic, photocopying, recording, or otherwise, without prior written permission of Apple Inc., with the following exceptions: Any person is hereby authorized to store documentation on a single computer for personal use only and to print copies of documentation for personal use provided that the documentation contains Apple's copyright notice.

The Apple logo is a trademark of Apple Inc.

Use of the "keyboard" Apple logo (Option-Shift-K) for commercial purposes without the prior written consent of Apple may constitute trademark infringement and unfair competition in violation of federal and state laws.

No licenses, express or implied, are granted with respect to any of the technology described in this document. Apple retains all intellectual property rights associated with the technology described in this document. This document is intended to assist application developers to develop applications only for Apple-labeled computers.

Every effort has been made to ensure that the information in this document is accurate. Apple is not responsible for typographical errors.

Apple Inc.  
1 Infinite Loop  
Cupertino, CA 95014  
408-996-1010

Apple, the Apple logo, iPhone, iPod, and Pages are trademarks of Apple Inc., registered in the United States and other countries.

iPad is a trademark of Apple Inc.

iOS is a trademark or registered trademark of Cisco in the U.S. and other countries and is used under license.

Simultaneously published in the United States and Canada.

**Even though Apple has reviewed this document, APPLE MAKES NO WARRANTY OR REPRESENTATION, EITHER EXPRESS OR IMPLIED, WITH RESPECT TO THIS DOCUMENT, ITS QUALITY, ACCURACY, MERCHANTABILITY, OR FITNESS FOR A PARTICULAR PURPOSE. AS A RESULT, THIS DOCUMENT IS PROVIDED "AS IS," AND YOU, THE READER, ARE**

**ASSUMING THE ENTIRE RISK AS TO ITS QUALITY AND ACCURACY.**

**IN NO EVENT WILL APPLE BE LIABLE FOR DIRECT, INDIRECT, SPECIAL, INCIDENTAL, OR CONSEQUENTIAL DAMAGES RESULTING FROM ANY DEFECT OR INACCURACY IN THIS DOCUMENT, even if advised of the possibility of such damages.**

**THE WARRANTY AND REMEDIES SET FORTH ABOVE ARE EXCLUSIVE AND IN LIEU OF ALL OTHERS, ORAL OR WRITTEN, EXPRESS OR IMPLIED. No Apple dealer, agent, or employee is authorized to make any modification, extension, or addition to this warranty.**

**Some states do not allow the exclusion or limitation of implied warranties or liability for incidental or consequential damages, so the above limitation or exclusion may not apply to you. This warranty gives you specific legal rights, and you may also have other rights which vary from state to state.**

# Contents

## Chapter 1 **Introduction 7**

---

- Overview 7
- Authentication Protocol 7
- Terminology Used in This Document 8
  - General Specification Terms 9
- Related Documents 9

## Chapter 2 **Signal Descriptions and Reference Circuit 11**

---

- CP Signals and Pinouts 11
- Address Selection 12
- Reference Circuit 12

## Chapter 3 **Hardware Configuration and Interface 13**

---

- System Voltage 13
- Startup of the I2C Interface 13
  - Starting Up the CP by Turning Power On 13
  - Starting Up the CP by Warm Reset 14
- Communication Process 15
- Low-Power Sleep Mode 16

## Chapter 4 **Coprocessor Registers 17**

---

- Register Addresses 17
- Register Descriptions 19
  - Device Version 19
  - Firmware Version 19
  - Authentication Protocol Major and Minor Versions 20
  - Device ID 20
  - Error Code 20
  - Authentication Control and Status 21
  - Signature Data Length 22
  - Signature Data 22
  - Challenge Data Length 23
  - Challenge Data 23
  - Accessory Certificate Data Length 23
  - Accessory Certificate Data 23
  - Self-Test Control and Status 23
  - System Event Counter 24
  - Apple Device Certificate Data Length 25

Apple Device Certificate Data 25

---

**Chapter 5 Authentication Data Flows 27**

---

Apple Device Authentication of Accessory 27  
Accessory Authentication of the Apple Device 28

---

**Chapter 6 I2C Communication Protocol 31**

---

Slave Selection and Reset 31  
Coprocessor Busy 31  
Writing to the Coprocessor 31  
Reading from the Coprocessor 32

---

**Chapter 7 CP Device Characteristics 33**

---

Physical Configuration 33  
Maximum Environmental Conditions 33  
Recommended Operating Conditions 34  
I2C Interface Characteristics 34  
DC Electrical Characteristics 34  
Timing Characteristics 35

---

**Appendix A Coprocessor 2.0B to 2.0C Migration Guide 37**

---

Only I2C Communication Protocol 37  
Increased SCL Speed 37  
Shorter Reset Cycle 37  
Warm Reset Supported 37  
Automatic Sleep State Entry and Exit 38  
NACK Responses Replace Clock Stretching 38  
Shorter Accessory Certificate Data 38  
System Event Counter Must Be Zero Before Power-Down 38

---

**Document Revision History 39**

---

# Figures and Tables

## Chapter 1 Introduction 7

---

Table 1-1 Document-specific terminology 8

## Chapter 2 Signal Descriptions and Reference Circuit 11

---

Figure 2-1 CP chip pinouts, top view 11

Figure 2-2 Reference circuit for CP 12

Table 2-1 CP signals 11

Table 2-2 Address selection signals 12

## Chapter 3 Hardware Configuration and Interface 13

---

Figure 3-1 I<sup>2</sup>C interface startup timing 14

Figure 3-2 I<sup>2</sup>C interface warm reset timing 15

Figure 3-3 I<sup>2</sup>C slave write address 15

Figure 3-4 I<sup>2</sup>C slave read address 15

## Chapter 4 Coprocessor Registers 17

---

Figure 4-1 Authentication Control and Status register, read-only bits 21

Figure 4-2 Authentication Control and Status register, write-only bits 21

Figure 4-3 Self-test Control and Status register, write-only bits 23

Figure 4-4 Self-test Control and Status register, read-only bits 24

Table 4-1 iPod Authentication Coprocessor 2.0C register map 17

Table 4-2 Error codes 20

Table 4-3 Authentication ERR\_SET values 21

Table 4-4 Authentication PROC\_RESULTS values 21

Table 4-5 Authentication PROC\_CONTROL values 22

Table 4-6 Self-test PROC\_CONTROL values 24

Table 4-7 Self-test result bits 24

## Chapter 5 Authentication Data Flows 27

---

Table 5-1 Sequence of interactions by which an Apple device authenticates an accessory 27

Table 5-2 Sequence of interactions by which an accessory authenticates an Apple device 28

Figure 7-1	Authentication coprocessor 2.0C package	33
Figure 7-2	Typical I/O port input waveform	35
Table 7-1	Maximum electrical and temperature ranges	34
Table 7-2	Recommended operating conditions	34
Table 7-3	I <sup>2</sup> C interface ranges	34
Table 7-4	Supply current into V <sub>CC</sub> excluding external current	35
Table 7-5	Inputs	35
Table 7-6	Outputs	35
Table 7-7	Values for Figure 7-2	36

# Introduction

---

NOTICE OF PROPRIETARY PROPERTY: THE INFORMATION CONTAINED HEREIN IS THE PROPRIETARY PROPERTY OF APPLE INC. THE POSSESSOR AGREES TO THE FOLLOWING: (I) TO MAINTAIN THIS DOCUMENT IN CONFIDENCE, (II) NOT TO REPRODUCE OR COPY IT, (III) NOT TO REVEAL OR PUBLISH IT IN WHOLE OR IN PART, (IV) ALL RIGHTS RESERVED.

ACCESS TO THIS DOCUMENT AND THE INFORMATION CONTAINED THEREIN IS GOVERNED BY THE TERMS OF THE MFI LICENSE AGREEMENT AND/OR THE IPOD-IPHONE AIS EVALUATION AGREEMENT. ALL OTHER USE SHALL BE AT APPLE'S SOLE DISCRETION.

**Note:** This document uses the term “Apple device” to refer generically to iPods, iPhones, and iPads, all of which support the iPod Accessory Protocol (iAP) interface. Among these products, those that also run iOS (Apple’s mobile operating system) are referred to as “iOS devices.” Specifications in this document that are designated for iOS devices apply only to those products. Specifications designated for iPods apply only to Apple devices that are not iOS devices.

## Overview

An Apple device verifies whether a third-party accessory attached to it is authorized for use with the Apple device by issuing an authentication challenge to the accessory. The accessory must respond to the Apple device’s challenge, and it can do so only with the assistance of an **iPod Authentication Coprocessor (CP)** chip located in the accessory. Conversely, the accessory can use its CP chip to authenticate the iPod. Certain control and reporting functions of the Apple device are made available externally only after it has authenticated an attached accessory as being authorized.

Earlier versions of the iPod Authentication Coprocessor (1.0, 2.0A, and 2.0B) were implemented in QFN-40, QFN-20, and SOP-8 packages. The current version, 2.0C, is supplied in a smaller and more efficient PG-USON-8-1 package. This document describes the configuration, usage, and specifications of Apple’s iPod Authentication Coprocessor 2.0C.

## Authentication Protocol

The authentication protocol supported by the iPod Authentication Coprocessor 2.0C is based on standard X.509 version 3 certification. Each certificate is generated and signed by a recognized certificate authority and has a unique serial number. Information about the X.509 standard can be found at the IETF website <http://tools.ietf.org/html/3280>.

For information about the iAP General lingo commands required to perform authentication using the iPod Authentication Coprocessor 2.0C, see Apple’s *MFi Accessory Firmware Specification*.

The iPod Authentication Coprocessor 2.0C supports iAP General lingo commands 0x14 through 0x1F, providing five authentication-related services:

**For Apple device authentication of the accessory:**

- **Certificate delivery:** To initiate authentication of the accessory that contains it, the CP supplies an X.509 digital certificate for public key verification by the attached Apple device.
- **Signature generation:** To complete authentication of the accessory that contains it, the CP generates a valid digital signature in response to a challenge from an attached Apple device. This signature authorizes the Apple device to respond to messages and commands from the accessory.

**For accessory authentication of the Apple device:**

- **Apple device certificate validation:** To initiate the authentication of an Apple device attached to an accessory, the CP verifies that the X.509 certificate supplied by Apple device has been signed by the proper certificate authority.
- **Challenge generation:** To continue the authentication of an Apple device attached to an accessory, the accessory's CP can generate a challenge to be sent to the Apple device.
- **Signature verification:** To complete the authentication of an Apple device attached to the accessory, the CP can verify the signature returned by the Apple device in response to the previous challenge.

## Terminology Used in This Document

Certain technical terms specific to this document are defined in Table 1-1.

**Table 1-1** Document-specific terminology

Term	Definition
Accessory controller	The microcontroller in an accessory responsible for implementing application-specific logic.
Authentication coprocessor	A device in an accessory controller that provides Apple device-related digital signature creation and verification services.
Challenge	A random number sent via iAP from an Apple device to an accessory controller, or vice versa. The device being challenged must perform a digital signature computation on the offered challenge and return the resulting digital signature to the challenging device for verification.
Digital signature	The result obtained by performing a digital signing process on an offered challenge.
iAP	iPod Accessory Protocol. See Apple's <i>MFi Accessory Firmware Specification</i> .
I <sup>2</sup> C bus	A 2-wire serial bus designed by Philips to allow easy communication between components that reside on the same circuit board. The I <sup>2</sup> C specification is located at <a href="http://www.semiconductors.philips.com/acrobat_download/literature/9398/39340011.pdf">http://www.semiconductors.philips.com/acrobat_download/literature/9398/39340011.pdf</a> .



Term	Definition
X.509 certification	A standard defined by the International Telecommunication Union (ITU) that governs the format of certificates used for authentication and sender identity verification in public-key cryptography. X.509 certificates contain the public keys used in the Apple device's accessory authentication process.

## General Specification Terms

---

Parts of this document contain specification requirements that are incorporated by reference into legal agreements between Apple Inc. and its licensees. The use of the words “must,” “should,” and “may” in these specifications have the following meanings:

- “Must” means that the specification is an absolute requirement.
- “Must not” means that the specification is an absolute prohibition.
- “Should” means that there may be valid reasons in particular circumstances to ignore the specification, but their full implications must be understood and carefully weighed before choosing to do so.
- “Should not” means that there may be valid reasons in particular circumstances that make the specified action or feature acceptable, but their full implications must be understood and carefully weighed before choosing to include it.
- “May” means that the indicated action or feature does not contravene this specification.

## Related Documents

For further information about authenticating Apple devices and their attached accessories, see Apple's *MFi Accessory Firmware Specification* and *MFi Accessory Hardware Specification*.

Stefan  
Bettesh  
Internet  
Stefan.Bettesh@100424.com

# Signal Descriptions and Reference Circuit

This chapter defines the pinouts, signals, and reference circuitry of the iPod Authentication Coprocessor 2.0C.

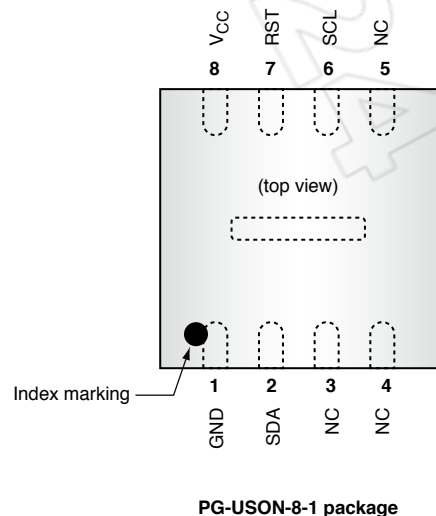
## CP Signals and Pinouts

The 2.0C CP chip signal descriptions are given in Table 2-1 and its pinouts are shown in Figure 2-1.

**Table 2-1** CP signals

Signal name	Pin	I/O	Description
GND	1		Supply voltage, negative terminal
SDA	2	I/O	I <sup>2</sup> C data
NC	3-5		Must not be connected
SCL	6	I	I <sup>2</sup> C clock
RST	7	I	At reset: selects I <sup>2</sup> C slave address. During operation: CP warm reset.
V <sub>CC</sub>	8		Supply voltage, positive terminal

**Figure 2-1** CP chip pinouts, top view



The thermal pad on the bottom of the CP may be left unconnected or optionally connected to GND.

## Address Selection

After power-up or in response to a warm reset, the state of RST is used to select the CP's I<sup>2</sup>C slave addresses, as shown in Table 2-2.

**Table 2-2** Address selection signals

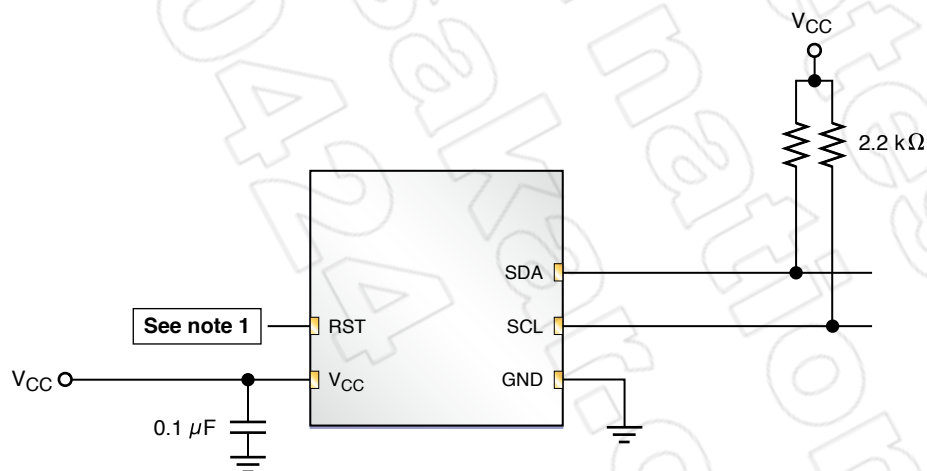
RST state	I <sup>2</sup> C addresses	
	Write	Read
0	0x20	0x21
1	0x22	0x23

See "Communication Process" (page 15) for the interface requirements of the CP's I<sup>2</sup>C slave communication transport.

## Reference Circuit

The reference circuit for I<sup>2</sup>C operation of the CP is shown in Figure 2-2.

**Figure 2-2** Reference circuit for CP



Note 1: If the CP's warm reset function is not needed, RST can be tied to either V<sub>CC</sub> or GND, depending on which of the addressing modes shown in Table 2-2 is used. If the warm reset function is needed, RST should be connected to a general-purpose I/O line on the accessory's controller. For further details, see [Starting Up the CP by Warm Reset](#) (page 14).

# Hardware Configuration and Interface

---

This chapter describes the operating modes of the iPod Authentication Coprocessor 2.0C and the ways that it interacts with other circuitry.

## System Voltage

The 2.0C CP may be used either in an accessory powered by an attached Apple device or in an accessory that has its own power source.

## Startup of the I<sup>2</sup>C Interface

The CP's I<sup>2</sup>C communication interface can be started up either by supplying power to the V<sub>CC</sub> line or by performing a warm reset on the RST line. The accessory actions required for these two procedures are specified in the next sections.

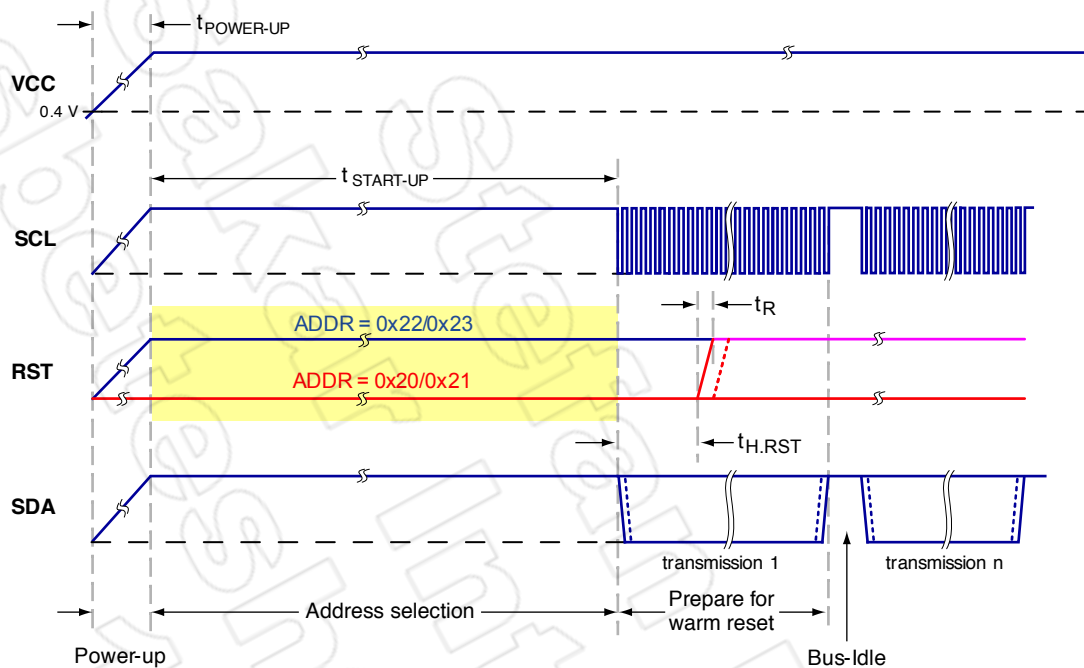
### Starting Up the CP by Turning Power On

---

To activate the I<sup>2</sup>C interface by supplying power to the V<sub>CC</sub> line, the accessory must perform the following startup procedure. This procedure is required both to support address selection by means of the RST line and to support the option of a warm reset later.

- The V<sub>CC</sub> line must be supplied with power and the SDA and SCL lines must be set high during the entire procedure.
- The RST line, used to select addressing as described in [Address Selection](#) (page 12), must be kept either low or high during the entire procedure. If the RST line is kept low during the procedure, the accessory must set it high not earlier than 10 ms after the V<sub>CC</sub> line goes high but before the first data transmission occurs.
- The first data transmission may start not earlier than 10 ms after the V<sub>CC</sub> line goes high. If the RST line has been kept low and the accessory might need to perform a warm reset of the CP chip later, the accessory must set the RST line high not earlier than 1 ms after the start of the first data transmission ( $t_{H,RST}$  interval in [Figure 3-1](#) (page 14)). If the option of a warm reset later is not needed, the accessory may tie RST directly to either V<sub>CC</sub> or GND.

[Figure 3-1](#) (page 14) diagrams the timing of the I<sup>2</sup>C interface when it is started up by turning power on.

Figure 3-1 I<sup>2</sup>C interface startup timing

In this diagram,  $t_{\text{STARTUP}} \geq 10 \text{ ms}$  and  $t_{\text{H,RST}} \geq 1 \text{ ms}$ . The rise time of  $t_{\text{R}}$  and the fall time of  $t_{\text{F}}$  are both  $< 1 \mu\text{s}$  from 10% to 90% of the signal amplitude, and  $t_{\text{POWER-UP}} < 200 \mu\text{s}$  from  $V_{\text{CC}} = 0.4 \text{ V}$  until  $V_{\text{CC}} = 90\%$  of the target supply voltage.

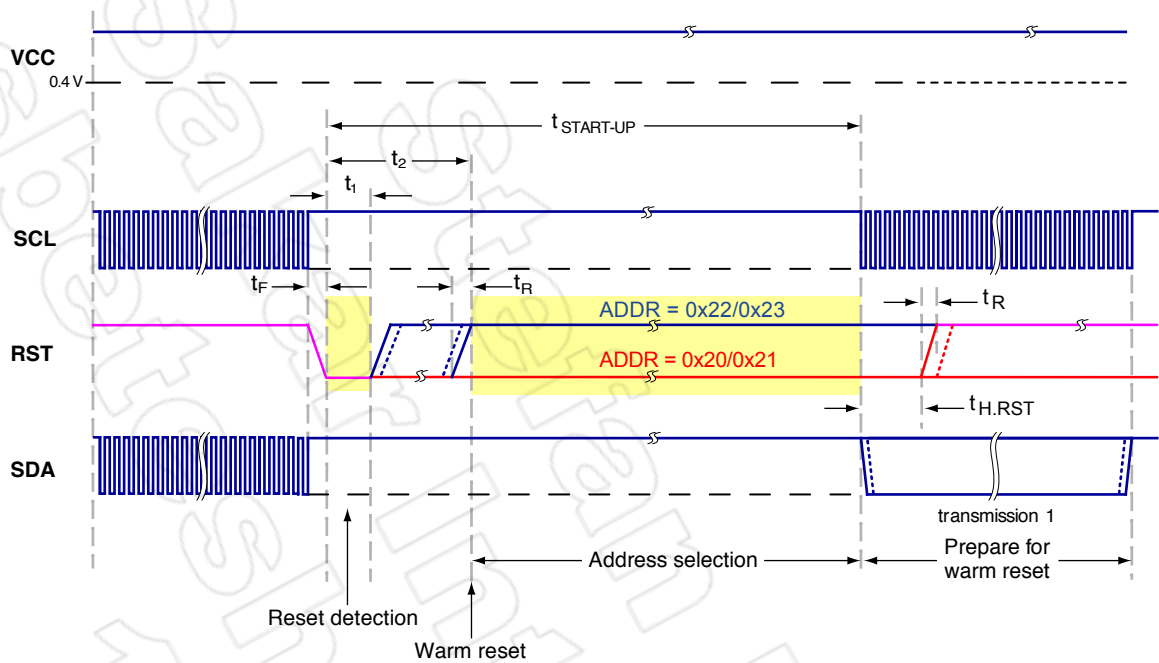
## Starting Up the CP by Warm Reset

To reset the I<sup>2</sup>C interface through the RST line, after activating it through power-up as specified in [Starting Up the CP by Turning Power On](#) (page 13), the accessory must perform the following procedure:

- The  $V_{\text{CC}}$  line must be supplied with power during the entire procedure.
- The terminal must halt I<sup>2</sup>C communication, and the SDA and SCL lines must be set high before the RST line is set low.
- The RST line must be set low and kept low for at least 10  $\mu\text{s}$ . Not later than 1 ms after the falling edge of the RST signal, the accessory must finish its I<sup>2</sup>C address selection by either keeping RST low or driving RST high. If the RST line is kept low during the warm reset, the accessory must set it high not earlier than 10 ms after the  $V_{\text{CC}}$  line goes high but before the first data transmission occurs.
- The first data transmission may start not earlier than 10 ms after the falling edge of the RST signal. If the RST line has been kept low during the warm reset, the accessory must set it high not earlier than 1 ms after the start of the first data transmission ( $t_{\text{H,RST}}$  interval in [Figure 3-2](#) (page 15)).

[Figure 3-2](#) (page 15) diagrams the timing of the I<sup>2</sup>C interface when it is reset by software toggling the RST line without a power off/on cycle.

Figure 3-2 I<sup>2</sup>C interface warm reset timing



In this diagram,  $t_{STARTUP} \geq 10 \text{ ms}$ ,  $t_{H,RST} \geq 1 \text{ ms}$ ,  $t_1 > 10 \mu\text{s}$ , and  $t_2 = 3 \text{ ms}$ . The rise time of  $t_R$  and the fall time of  $t_F$  are both  $< 1 \mu\text{s}$  from 10% to 90% of the signal amplitude.

## Communication Process

When the CP is addressed using I<sup>2</sup>C, it acts as a standard 7-bit I<sup>2</sup>C slave. The I<sup>2</sup>C slave address is configured upon reset and is based on the RST input. The I<sup>2</sup>C effective slave address for writing is shown in Figure 3-3 and the corresponding read address in Figure 3-4.

Figure 3-3 I<sup>2</sup>C slave write address

A6	A5	A4	A3	A2	A1	A0	R/nW
0	0	1	0	0	0	RST	0

Figure 3-4 I<sup>2</sup>C slave read address

A6	A5	A4	A3	A2	A1	A0	R/nW
0	0	1	0	0	0	RST	1

In I<sup>2</sup>C mode, the CP has both a write address and a read address, as is typical for an I<sup>2</sup>C device. The I<sup>2</sup>C write address of the CP consists of the seven bits [A6:A0] followed by 0 for the R/nW bit. The I<sup>2</sup>C read address of the CP consists of the seven bits [A6:A0] followed by 1 for the R/nW bit. If the RST input is connected to ground, the write and read addresses of the CP are 0x20 and 0x21 respectively; if it is pulled high, the write and read addresses of the CP are 0x22 and 0x23.

## Low-Power Sleep Mode

The 2.0C CP conserves power by entering a Sleep mode. It enters this mode automatically and cannot be forced to it externally. When in Sleep mode, the CP automatically wakes in response to any I<sup>2</sup>C communications sent to its address.



# Coprocessor Registers

Registers within the iPod Authentication Coprocessor 2.0C (CP) are accessed via I<sup>2</sup>C transport, as described in [Communication Process](#) (page 15). This chapter specifies the CP's register addressing details and telegram formats.

## Register Addresses

Registers and their addresses in the CP are listed in Table 4-1. Each register is discussed in the sections that follow.

**Note:** Registers in the same block with consecutive addresses may be read from sequentially in increasing numerical order, except as noted in the last column of Table 4-1. Registers must not be written to sequentially except as noted. Multibyte numeric values are stored in big-endian order; for example, the first byte in a two-byte register is the MSB of the stored value and the second byte is its LSB.

**Table 4-1** iPod Authentication Coprocessor 2.0C register map

Register address	Block	Register name	Length in bytes	Contents after reset	Access	Notes
0x00	0	Device Version	1	0x05	Read-only	
0x01	0	Firmware Version	1	0x01	Read-only	
0x02	0	Authentication Protocol Major Version	1	0x02	Read-only	
0x03	0	Authentication Protocol Minor Version	1	0x00	Read-only	
0x04	0	Device ID	4	0x00000200	Read-only	
0x05	0	Error Code	1	0x00	Read-only (cleared on read)	1
0x10	1	Authentication Control and Status	1	0x00	Read/write	
0x11	1	Signature Data Length	2	128	Read/write	2
0x12	1	Signature Data	128	Undefined	Read/write	

Register address	Block	Register name	Length in bytes	Contents after reset	Access	Notes
0x20	2	Challenge Data Length	2	20	Read/write	2
0x21	2	Challenge Data	128	Undefined	Read/write	
0x30	3	Accessory Certificate Data Length	2	≤1280	Read-only	
0x31	3	Accessory Certificate Data (Page 1)	128	Certificate	Read-only	
0x32	3	Accessory Certificate Data (Page 2)	128	Certificate	Read-only	
0x33	3	Accessory Certificate Data (Page 3)	128	Certificate	Read-only	
0x34	3	Accessory Certificate Data (Page 4)	128	Certificate	Read-only	
0x35	3	Accessory Certificate Data (Page 5)	128	Certificate	Read-only	
0x36	3	Accessory Certificate Data (Page 6)	128	Certificate	Read-only	
0x37	3	Accessory Certificate Data (Page 7)	128	Certificate	Read-only	
0x38	3	Accessory Certificate Data (Page 8)	128	Certificate	Read-only	
0x39	3	Accessory Certificate Data (Page 9)	128	Certificate	Read-only	
0x3A	3	Accessory Certificate Data (Page 10)	128	Certificate	Read-only	
0x40	4	Self-test Control and Status	1	0x00	Read/write	
0x41–0x4C	4	Reserved				
0x4D	1	System Event Counter (SEC)	1	Undefined	Read-only	

Register address	Block	Register name	Length in bytes	Contents after reset	Access	Notes
0x50	5	Apple Device Certificate Data Length	2	0x0000	Read/write	
0x51	5	Apple Device Certificate Data (Page 1)	128	Undefined	Read/write	
0x52	5	Apple Device Certificate Data (Page 2)	128	Undefined	Read/write	
0x53	5	Apple Device Certificate Data (Page 3)	128	Undefined	Read/write	
0x54	5	Apple Device Certificate Data (Page 4)	128	Undefined	Read/write	
0x55	5	Apple Device Certificate Data (Page 5)	128	Undefined	Read/write	
0x56	5	Apple Device Certificate Data (Page 6)	128	Undefined	Read/write	
0x57	5	Apple Device Certificate Data (Page 7)	128	Undefined	Read/write	
0x58	5	Apple Device Certificate Data (Page 8)	128	Undefined	Read/write	

**Note 1:** Register 0x05 can be read sequentially only as part of a sequence that begins with a register in the range 0x00–0x04, in which case the read operation does not clear it.

**Note 2:** Registers 0x11 and 0x20 may each be written sequentially with registers 0x12 and 0x21, respectively.

## Register Descriptions

This section describes the ways that the CP registers listed in Table 4-1 are used.

### Device Version

---

The Device Version read-only register contains the version number of the coprocessor device. The current Authentication 2.0C coprocessor is designated as device version 0x05.

### Firmware Version

---

The Firmware Version read-only register contains the version number of the coprocessor firmware. Firmware version numbers advance by whole integers.

## Authentication Protocol Major and Minor Versions

The Authentication Protocol Major Version and Authentication Protocol Minor Version read-only registers provide the version number of the authentication protocol that the CP supports. This information is accessed by the iAP command `RetDevAuthenticationInfo` during accessory authentication.

## Device ID

The Device ID read-only register identifies the accessory and is accessed by the iAP command `SetFIDTokenValues` during accessory identification.

## Error Code

The Error Code read-only register stores the most recent communication or authentication process error code generated since the register was last cleared. The error code register is cleared after it is read. The possible error codes are listed in Table 4-2.

If a single communication operation happens to produce multiple errors (for example, by writing an invalid signature length during a multiregister write that also attempts to continue past the end of the corresponding block) then only the highest-numbered error code is stored.

**Table 4-2** Error codes

Code	Description
0x00	No error
0x01	Invalid register for read
0x02	Invalid register for write
0x03	Invalid signature length
0x04	Invalid challenge length
0x05	Invalid certificate length
0x06	Internal process error during signature generation
0x07	Internal process error during challenge generation
0x08	Internal process error during signature verification
0x09	Internal process error during certificate validation
0x0A	Invalid process control
0x0B	Process control out of sequence
0x0C–0xFF	Reserved

## Authentication Control and Status

The Authentication Control and Status read/write register provides control and status information for the CP's authentication processes.

When read from, the Authentication Control and Status register provides the status of the most recently requested CP process, as shown in Figure 4-1 and Tables 4-3 and 4-4.

**Figure 4-1** Authentication Control and Status register, read-only bits

7	6	5	4	3	2	1	0
ERR_SET	PROC_RESULTS			0	0	0	0

**Table 4-3** Authentication ERR\_SET values

Value	Description
0	The Error Code register does not contain a code generated by the most recent command execution. However, it may still contain the most recent error code (greater than 0x00) generated by an earlier command.
1	The Error Code register contains the most recent process or communication error. Both this bit and the Error Code register contents are cleared after the Error Code register is next read. This bit is also cleared after every successful command execution.

**Table 4-4** Authentication PROC\_RESULTS values

Value	Description
0	Most recent process did not produce valid results.
1	Accessory signature successfully generated.
2	Challenge successfully generated.
3	Apple device signature successfully verified.
4	Apple device certificate successfully validated.
5-7	Reserved.

When written to, the Authentication Control and Status register controls the start of CP processes, as shown in Figure 4-2 and Table 4-5 (page 22).

**Figure 4-2** Authentication Control and Status register, write-only bits

7	6	5	4	3	2	1	0
0	0	0	0	0	PROC_CONTROL		

**Note:** Attempts to write to other bits are ignored.

**Table 4-5** Authentication PROC\_CONTROL values

Value	Description	Notes
0	No operation	This control does nothing and always reports success (ERR_SET = 0; PROC_RESULTS = 0).
1	Start new signature-generation process	
2	Start new challenge-generation process	The length of the challenge to be generated is defined by the Challenge Data Length register and ranges from 1 to 128 bytes.
3	Start new signature-verification process	
4	Start new certificate-validation process	Do not attempt to read the accessory certificate after writing the Apple device certificate but before validating it by this control.
5	No operation	This control does nothing and always reports success (ERR_SET = 0; PROC_RESULTS = 0).
6-7	Reserved.	

## Signature Data Length

The Signature Data Length read/write register holds the length in bytes of the results of the most recent signature-generation process (if the Apple device is authenticating an accessory) or signature-verification process (if the accessory is authenticating the Apple device).

Before a signature-generation process begins, this register should contain 0x80, the maximum allowable signature length. After completion of the signature-generation process, the CP updates this register to contain the actual length of the generated signature. This updated value should be read in order to determine how much of the Signature Data register contains valid signature bytes.

Before a signature-verification process begins, this register should hold the actual length of the signature being verified.

## Signature Data

In the case of a signature generation process, the Signature Data register holds the newly-generated data. In the case of a signature verification process, it holds the signature to be verified.

## Challenge Data Length

---

The Challenge Data Length read/write register holds the length, in bytes, of the current challenge. This challenge may either be written into the CP, during Apple device authentication of an accessory, or generated by the CP during accessory authentication of an Apple device.

Before starting a signature-generation process on the current challenge during Apple device authentication of an accessory, this register must contain the length of the challenge.

Before starting a new challenge-generation process during accessory authentication of an Apple device, this register should contain the requested challenge length. The length must be in the range is 1 to 128 bytes; writing any other value will cause an error.

The required length of an authentication challenge is 20 bytes.

## Challenge Data

---

The Challenge Data register holds the current challenge data. This data is either written into the CP or generated by the CP depending on the specific operation. The number of bytes used or generated is determined by the value of the Challenge Length Data register.

## Accessory Certificate Data Length

---

The Accessory Certificate Data Length read-only register holds the length of the X.509 certificate that the Apple device uses to authenticate an accessory. The length of a certificate varies but is always less than or equal to 1280 bytes. This length limit may not hold for future versions of the authentication protocol.

## Accessory Certificate Data

---

The Accessory Certificate Data read-only register holds the PKCS#7-wrapped X.509 certificate that the Apple device uses to authenticate an accessory. The Accessory Certificate may be read from the coprocessor in 128-byte pages starting at any Accessory Certificate Data Page address, or it may be read in a continuous stream starting at Page 1. Since the length of the Accessory Certificate varies, fewer than all of the pages may be used. The Accessory Certificate Data Length value can be read to determine which Accessory Certificate Data Pages contain the certificate data.

## Self-Test Control and Status

---

The Self-test Control and Status read/write register provides access to the built-in self-test functions of the coprocessor. When it is set to a value of 1, the Self-test Control and Status register initiates a self-test process, as shown in Figure 4-3 and Table 4-6 (page 24).

**Figure 4-3** Self-test Control and Status register, write-only bits

7	6	5	4	3	2	1	0
0	0	0	0	0	PROC_CONTROL		

**Note:** Attempts to write to other bits are ignored.

**Table 4-6** Self-test PROC\_CONTROL values

Value	Test process to be run
0	None
1	Run X.509 certificate and private key tests
2-7	Reserved

When read from, bits 7–4 of the Self-test Control and Status register report the results of the X.509 certificate and private key tests, as shown in Figure 4-4 and Table 4-7 (page 24). The CP detects a read cycle and resets the Control and Status register to 0x00 after it; hence bits 7–4 must all be retrieved in one operation.

**Figure 4-4** Self-test Control and Status register, read-only bits

7	6	5	4	3	2	1	0
Self-Test results				0	0	0	0

**Table 4-7** Self-test result bits

Bit	Test	Bit value	
		0	1
7	X.509 certificate	Certificate not found	Certificate found in memory (see note below)
6	Private key	Private key not found	Private key found in memory (see note below)
5-4	Reserved		

**Note:** The X.509 and private key tests only verify that these elements are present in Flash memory; no authentication is performed.

## System Event Counter

The System Event Counter (SEC) is a non-volatile register that holds the current value of the CP's event counter. The event counter automatically decrements one count per second while the CP is powered, stopping at 0. If the accessory controls power to the CP, it must wait until the SEC has decremented to 0 before removing power.



## Apple Device Certificate Data Length

---

The Apple Device Certificate Data Length register holds the length of the X.509 certificate supplied by the attached Apple device. An accessory uses this certificate to authenticate an Apple device in both the certificate validation and signature verification processes. The length of an Apple device certificate varies but is always less than or equal to 1024 bytes. This length limit may not hold for future versions of the authentication protocol.

Writing a value in a range greater than 0 and less than or equal to 1024 will cause the CP to validate the data contained in the iPod Certificate Data registers. If the CP invalidates the iPod Certificate Data, it sets this register to 0.

## Apple Device Certificate Data

---

The Apple Device Certificate Data register holds the X.509 Certificate that an accessory uses to authenticate an Apple device in both the certificate validation and signature verification processes. The Apple Device Certificate may be written to the coprocessor in 128-byte pages starting at any Apple Device Certificate Data Page address, but it may not be written in a multipage stream. Since the length of the Apple Device Certificate varies, not all of the pages need to be used. The Apple Device Certificate Data Length value determines which Apple Device Certificate Data Pages contain valid certificate data.

Stefan  
Bettes  
stefan@100424.com  
stefan@100424.com

# Authentication Data Flows

Authentication involves communication between the accessory controller (AC), the Authentication Coprocessor (CP) in the accessory, and the Apple device attached to the accessory.

Communication between the accessory controller and the CP takes place via the I<sup>2</sup>C transport link described in [Communication Process](#) (page 15). Communication between the accessory controller and the Apple device takes place via the iPod Accessory Protocol. See Apple's *MFi Accessory Firmware Specification* for full details.

This chapter summarizes the kinds of information that pass between the AC, the CP, and the attached Apple device (Dev).

## Apple Device Authentication of Accessory

The sequence of interactions by which an Apple device authenticates an accessory is shown in [Table 5-1](#) (page 27). At the beginning of this process the accessory controller is granted access by the Apple device to the iAP lingo or lingoies it requests; however, if the process does not finish successfully that access is terminated.

**Table 5-1** Sequence of interactions by which an Apple device authenticates an accessory

Command or action	Direction	Comments
Read Authentication Protocol Version and Device ID	CP → AC	Accessory controller reads authentication protocol version and device ID from CP
StartIDPS (iAP)	AC → Dev	The accessory controller initiates and completes the Identify Device Preferences and Settings (IDPS) process. It sends the Apple device a set of ID tokens, one of which includes the device ID returned by the CP. See <i>MFi Accessory Firmware Specification</i> , Chapter 2 and Appendix A.
SetFIDTokenValues (iAP)	AC → Dev	
EndIDPS (iAP)	AC → Dev	
GetDevAuthenticationInfo (iAP)	Dev → AC	The Apple device requests device authentication info
Read Accessory Certificate Length and Data	CP → AC	Accessory controller reads Accessory certificate from CP
RetDevAuthenticationInfo (iAP)	AC → Dev	Accessory controller returns information needed for authentication process, using the authentication protocol version number and X.509 certificate returned by the CP
AckDevAuthenticationInfo (iAP)	Dev → AC	The status of the authentication version comparison is returned to the accessory controller. The returned status includes information about the validity of the X.509 certificate.

Command or action	Direction	Comments
GetDevAuthenticationSignature (iAP)	Dev → AC	The Apple device sends accessory controller a challenge and requests that it provide corresponding digital signature
Write Challenge Length and Challenge Data	AC → CP	Accessory controller writes challenge into CP
Write Authentication Control: PROC_CONTROL = 1	AC → CP	Accessory controller starts signature-generation process in CP
Wait for process completion	CP → AC	Accessory controller waits for CP to finish processing
Read Authentication Status	CP → AC	Accessory controller reads Authentication Status and checks PROC_RESULTS field
Read Signature Data Length and Signature Data	CP → AC	Accessory controller reads signature from CP
RetDevAuthenticationSignature (iAP)	AC → Dev	Accessory controller returns signature to the Apple device
AckDevAuthenticationStatus (iAP)	Dev → AC	Resulting success or failure of signature verification sent to accessory controller by the Apple device

## Accessory Authentication of the Apple Device

The sequence of interactions by which an accessory authenticates an Apple device is shown in Table 5-2.

**Table 5-2** Sequence of interactions by which an accessory authenticates an Apple device

Command or action	Direction	Comments
Read Authentication Protocol Version and Device ID	CP → AC	Accessory controller reads authentication protocol version and device ID from CP
The accessory controller performs the accessory identification and authentication processes listed in <a href="#">Table 5-1</a> (page 27). These processes, by which the Apple device authenticates the accessory, must finish successfully before the sequence by which the accessory authenticates the Apple device can continue.		
GetIPodAuthenticationInfo (iAP)	AC → Dev	Accessory controller requests Apple device authentication information
RetIPodAuthenticationInfo (iAP)	Dev → AC	The Apple device returns its authentication version and certificate
Write Apple device Certificate length and data	AC → CP	Accessory controller writes Apple device Certificate into CP

Command or action	Direction	Comments
Write Authentication Control: PROC_CONTROL = 4	AC → CP	Accessory controller starts certificate validation process in CP
Wait for process completion	CP → AC	Accessory controller waits for CP to finish processing
Read Authentication Status	CP → AC	Accessory controller reads Authentication Status and checks PROC_RESULTS field
AckIPodAuthenticationInfo (iAP)	AC → Dev	Results of the authentication information comparison are returned to the Apple device
Write Authentication Control: PROC_CONTROL = 2	AC → CP	Accessory controller starts challenge-generation process in CP to calculate new challenge
Wait for process completion	CP → AC	Accessory controller waits for CP to finish processing
Read Authentication Status	CP → AC	Accessory controller reads the authentication status and checks PROC_RESULTS field
Read Challenge Length and Challenge Data	CP → AC	Accessory controller reads challenge from CP
GetIPodAuthentication-Signature (iAP)	AC → Dev	Accessory controller sends challenge to the Apple device and requests that it calculate digital signature
RetIPodAuthentication-Signature (iAP)	Dev → AC	The Apple device returns a digital signature to the Accessory controller
Write Signature Data Length and Signature Data	AC → CP	Accessory controller writes digital signature into CP
Write Challenge Length and Challenge	AC → CP	Accessory controller writes challenge into CP (it needs to write this into the CP only if the challenge has been changed in the meantime)
Write Authentication Control: PROC_CONTROL = 3	AC → CP	Accessory controller starts signature-verification process in CP
Wait for process completion	CP → AC	Accessory controller waits for CP to finish processing
Read Authentication Status	CP → AC	Accessory controller reads authentication status and checks PROC_RESULTS field
AckIPodAuthenticationStatus (iAP)	AC → Dev	Signature verification status is returned to the Apple device.

Spaetes  
Skrar  
Steffan  
Batesjn  
100424@skrar.com  
Internet

# I2C Communication Protocol

---

The iPod Authentication Coprocessor (CP) supports the I<sup>2</sup>C communication protocol, acting as an I<sup>2</sup>C slave. Its SCL signal is the I<sup>2</sup>C clock line and is driven by the accessory controller. Its SDA signal is the I<sup>2</sup>C data line and is driven by whichever device is currently sending data.

Unlike the iPod Authentication Coprocessor version 2.0B, CP 2.0C does not perform clock synchronization by stretching SCL. It may, however, not-acknowledge (NACK) a requested register operation if busy, so the I<sup>2</sup>C master should expect retry operations as a normal part of CP 2.0C use.

The maximum supported I<sup>2</sup>C clock rate is 400 kHz.

## Slave Selection and Reset

During reset, the RST signal must specify the CP's I<sup>2</sup>C slave address and must be held stable for at least 10 ms after power-up or reset, as described in "[Communication Process](#)" (page 15). As an I<sup>2</sup>C slave, the CP is then selected in-band via its I<sup>2</sup>C address. The least significant bit of the I<sup>2</sup>C slave address controls whether a write or a read operation is to be performed, as described in "[Address Selection](#)" (page 12).

## Coprocessor Busy

When the CP is busy processing it is unable to handle incoming communication attempts. If the coprocessor does not ACK its slave address during an attempted I<sup>2</sup>C communication, then the coprocessor is busy. The accessory controller must repeatedly attempt communication until the coprocessor sends an ACK after receiving its slave address.

## Writing to the Coprocessor

To write data to the coprocessor, follow these steps:

1. Send the I<sup>2</sup>C start sequence.
2. Send the I<sup>2</sup>C write address of the CP.
3. Check for an ACK from the slave; if a NACK is received, wait 500  $\mu$ s and then loop back to Step 1.
4. Send the register address at which to begin writing.
5. Send the data bytes.

6. Send the I<sup>2</sup>C stop sequence.

## Reading from the Coprocessor

To read data from the coprocessor, follow these steps:

1. Send the I<sup>2</sup>C start sequence.
2. Send the I<sup>2</sup>C write address of the CP.
3. Check for an ACK from the slave; if a NACK is received, wait 500  $\mu$ s and then loop back to Step 1.
4. Send the register address at which to begin reading.
5. Optional: send the I<sup>2</sup>C stop sequence.
6. Send the I<sup>2</sup>C start sequence.
7. Send the I<sup>2</sup>C read address of the CP.
8. Check for an ACK from the slave; if a NACK is received, wait 500  $\mu$ s and then loop back to Step 6.
9. Read the data bytes.
10. Send the I<sup>2</sup>C stop sequence.

Any additional reads after an I<sup>2</sup>C read stop sequence continue with the byte following the previous byte read until an invalid register address or an end of block is reached, at which point the slave returns 0xFF in response to all further reads.





**Table 7-1** Maximum electrical and temperature ranges

Condition	Maximum range
Voltage applied at $V_{CC}$ relative to $V_{SS}$	-0.3 V to +7.0 V
Voltage applied to any pin	-0.3 V to $V_{CC} + 0.3$ V
Storage temperature	-40 °C to +125 °C

## Recommended Operating Conditions

The CP is available only in a standard temperature range configuration. Internal sensors may force it to its reset state if any of the conditions listed in Table 7-2 are exceeded. Attempting to operate the CP in this state is not recommended and may lead to device failure or unreliability.

**Table 7-2** Recommended operating conditions

Condition	Minimum	Maximum	Unit
Operating free-air temperature	-25	+85	°C
Supply voltage during program execution	1.62	5.5	V

## I2C Interface Characteristics

Table 7-3 specifies the limits of the I2C interface between the CP and other components.

**Table 7-3** I2C interface ranges

Parameter	Minimum	Maximum	Unit
SCL clock frequency ( $f_{SCL}$ )	10	400	kHz
External bus capacitance to ground ( $C_b$ )		100	pF

## DC Electrical Characteristics

Tables 7-4 through 7-6 (page 35) show the DC electrical characteristics of the CP chip over its recommended voltage and temperature ranges. Unless otherwise specified in these tables,  $V_{CC} = 1.62$  to 5.5 V and  $T_A = -25$  °C to +85 °C.

**Table 7-4** Supply current into  $V_{CC}$ , excluding external current

Parameter	Test conditions	Minimum	Typical	Maximum	Unit
$I_{(AM)}$ Active mode (authentication process running)			6	7.5	mA
$I_{(sleep)}$ Sleep mode	$T_A = 25\text{ }^\circ\text{C}$		35	80	$\mu\text{A}$

**Table 7-5** Inputs

Symbol	Parameter	Test conditions	Minimum	Typical	Maximum	Unit
$V_{IH}$	High-level input voltage		$V_{CC} \times 0.7$		$V_{CC} + 0.3$	V
$V_{IL}$	Low-level input voltage		-0.3		$V_{CC} \times 0.2$	
$I_i$	Input current		-10	1	10	$\mu\text{A}$

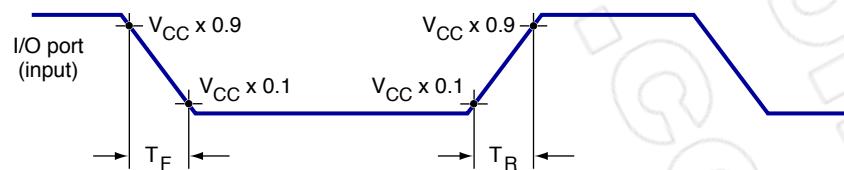
**Table 7-6** Outputs

Symbol	Parameter	Test conditions	Minimum	Typical	Maximum	Unit
$V_{OL}$	Low-level output voltage	$I_{OL(max)} = -1\text{ mA}$	$V_{SS}$		$V_{SS} + 0.4$	V

## Timing Characteristics

When power is turned on to the CP,  $V_{CC}$  must reach 90% of the CP's target supply voltage within 200  $\mu\text{s}$  after it exceeds 400 mV.

Figure 7-2 illustrates the CP's typical I/O port input signal timing and voltage limits. Table 7-7 (page 36) lists the parameter values in Figure 7-2.

**Figure 7-2** Typical I/O port input waveform

**Table 7-7** Values for Figure 7-2

Symbol	Description	Maximum value
$T_F$	Fall time	1.0 $\mu$ s
$T_R$	Rise time	1.0 $\mu$ s

# Coprocessor 2.0B to 2.0C Migration Guide

---

This appendix summarizes the ways that the 2.0C version of the iPod Authentication Coprocessor differs from the older 2.0B version, as a guide to migrating accessory compatibility from one to the other.

## Only I2C Communication Protocol

The 2.0C CP supports only the I<sup>2</sup>C communication protocol. Accessory designs that use the SPI communication protocol must switch to I<sup>2</sup>C.

## Increased SCL Speed

When running in the I<sup>2</sup>C communication protocol, the 2.0B CP supported a maximum SCL speed of only 50 kHz. The 2.0C CP supports a maximum SCL speed of 400 kHz (see [I2C Interface Characteristics](#) (page 34)).

**Compatibility with both CPs:** CP register 0x00 (Device Version) contains a value of 0x03 in the 2.0B CP and 0x05 in the 2.0C. If an accessory needs to be compatible with both CPs, its microcontroller should read the contents of this register to determine which version of the CP is present. It should do this at an SCL speed no greater than 50 kHz and a reset cycle delay of 30 ms (see “Shorter Reset Cycle,” below), to assure its compatibility with either version. If the 2.0C CP is present, the accessory may then increase its SCL speed and decrease its reset delay.

## Shorter Reset Cycle

The reset cycle in the 2.0C CP is shorter than it was in the 2.0B CP—10 ms instead of 30 ms. An accessory designed for the iAC 2.0B reset timing will still work with the 2.0C CP, but it may be advantageous to redesign it for a shorter delay.

## Warm Reset Supported

The 2.0C CP supports optional warm reset, using the RST pin. This pin is also used for I<sup>2</sup>C slave address selection.

**Note:** The 2.0B CP had a dedicated reset pin, but the 2.0C CP does not.

## Automatic Sleep State Entry and Exit

The 2.0C CP automatically enters and exits deep sleep without explicit program control. The 2.0B CP required an explicit sleep-entry command to drive it to its deepest sleep state, and it required either  $V_{CC}$  power cycling or a reset pin signal to exit this state.

**Note:** An accessory may send explicit sleep entry commands to the 2.0C CP, but doing so will have no effect.

## NACK Responses Replace Clock Stretching

The 2.0C CP does not use the I<sup>2</sup>C clock stretching mechanism to control communication timing. Instead, it will frequently send I<sup>2</sup>C NACK (not-acknowledge) responses if a requested register operation has not yet finished. The I<sup>2</sup>C master in the accessory's microcontroller must expect such NACK responses as part of its normal operation.

## Shorter Accessory Certificate Data

The 2.0C CP contains fewer registers dedicated to holding Accessory Certificate Data and a shorter maximum value for its Accessory Certificate Data Length register. If the accessory microcontroller first reads the Accessory Certificate Data Length register and then reads only that much data from the Accessory Certificate Data registers, migrating from the 2.0B CP to the 2.0C CP will not require design changes.

## System Event Counter Must Be Zero Before Power-Down

If the accessory removes power from the 2.0C CP, it must first verify that register 0x4D (the System Event Counter) is at zero (see [System Event Counter](#) (page 24)). The 2.0B CP had no equivalent requirement.

# Document Revision History

---

This table describes the changes to *iPod Authentication Coprocessor 2.0C Specification*.

Date	Notes
2011-06-22	<i>Revision R1: First release.</i>

